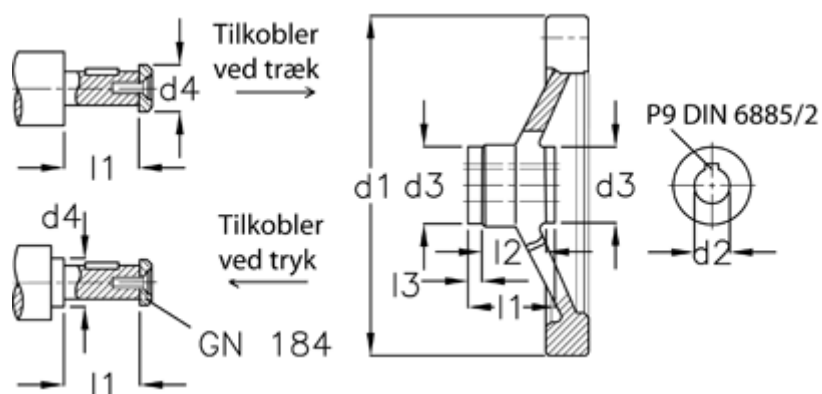


Article number: 20368316

Description: E+G Handwheel
GN 321.4-160-K16-A-ZI

Measures



d1	=	160
d2 H7	=	16
d3	=	32
d4 max	=	21
l1	=	32.5
l2	=	20
l3	=	6